



February 19, 2004

DN-3783 • A-105

AFP-200 Analog Fire Panel

Section: Intelligent Fire Alarm Control Panels

GENERAL

The AFP-200 is a compact, cost-effective, intelligent fire alarm control with a capacity of 198 individually identified and controlled points and an extensive list of powerful features. The AFP-200 provides capabilities that exceed most large intelligent systems, at a cost comparable to conventional control panels.

FEATURES

- 198 intelligent device capacity (99 analog detectors and 99 monitor/control modules). Style 4, 6, or 7.
- Overall 301 point capability (198 intelligent points, 4 programmable NAC circuits, 99 programmable relays).
- Network ready (reference **NOTI•FIRE•NET™** and **NAM-232** data sheets for more information).
- **Intelligent features:**
 - ✓ Manual sensitivity adjustment.
 - ✓ Day/Night automatic sensitivity adjustment.
 - ✓ Drift compensation (U.S. Patent Pending) meets UL requirements as a calibrated test instrument.
 - ✓ Auto detector test (meets NFPA 72).
 - ✓ Maintenance alert (two separate algorithms).
 - ✓ Pre-alarm (AWACS™ U.S. Patent Pending).
 - ✓ Activate local sounder base on pre-alarm.
 - ✓ LED blink control for sleeping areas.
 - ✓ Automatic device type check.
- **Releasing features:**
 - ✓ Four independent hazards.
 - ✓ Sophisticated cross-zone (three options)
 - ✓ Delay timer and Discharge timers (adjustable).
 - ✓ Abort (four options).
- Optional DACT, with AC fail delay.
- LCD-80 remote display/control.
- ACS annunciators (EIA-485), including LDM custom.
- Printer interface (80-column and 40-column printers).
- 5.0 A usable regulated output power, plus 6.0 A expander (maximum 8.0 A to panel circuits).
- 80-character LCD display, backlit.
- Real-time clock, with European format option.
- History file with 650-event capacity in nonvolatile memory. Includes non-erasable shadow history.
- Waterflow or supervisory selection per point.
- Alarm Verification selection per point, with tally.
- Walk Test reports two devices set to same address.
- Positive Alarm Sequence (PAS) Presignal per NFPA 72.
- Silence inhibit and Auto Silence timer options.
- March time/temporal/California code for bell circuits.
- Field-programmable on panel or on PC, with user-defined passwords, plus Autoprogram feature.
- UL-Listed modem interface allows remote/off-site system integration.
- FZM-1 two-wire detector interface provides compatibility with many non-NOTIFIER detectors for retrofit applications (consult factory for latest compatibility listings).
- Dual-rate charger for up to 90 hours of standby power.

NOTI•FIRE•NET™ is a trademark of NOTIFIER, 1994.



LISTED
S635



CS118
(AFP-200C,
AFP-200RC)



California
State Fire
Marshal
7165-0028:164



APPROVED

MEA

104-93-E Vol. XI

U.S. Coast Guard

161.002/23/3

The AFP-200



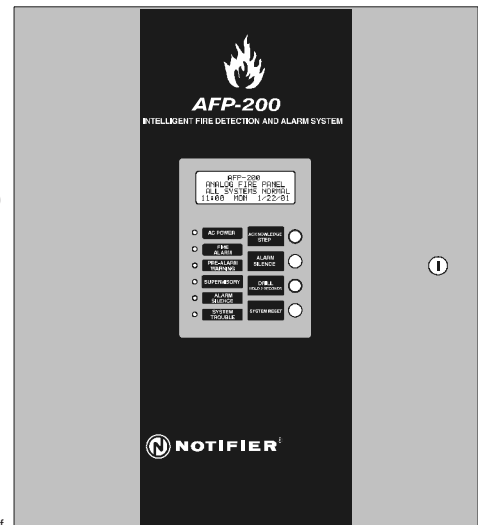
94/60004 (E2)

**City of
Chicago**

CLASS 1:
1928E

**City and
County of
DENVER**

3783afp2.wmf



- Two-Stage option for notification circuits (Canada).
- Tornado Warning activates different notification circuit code.
- Non-alarm points for lower priority functions.
- Remote Silence/Reset/Evacuate via monitor modules.
- Automatic time control functions, with holiday exceptions.
- Rapid poll algorithm for manual stations. Responds in < 2 seconds.
- Operates with untwisted, unshielded wire (up to 1,000 ft./304.8 m) for retrofit applications (U.S. Patent 5, 210, 523).
- UL Listed for Fire Signaling per Standard 864 & NFPA 72.
- UL Listed for Burglary applications per Standard 1076.
- UL Listed for Releasing Service. Complies with NFPA 12, 12A, 12B, 13, 15, 16, 17, 17A, 2001 Standards when installed in accordance with appropriate NFPA standard.
- Approved for Agent Release and Praction/Deluge by CSFM, City and County of Denver, FM, MEA, and ULC.
- Approved for marine applications by U.S. Coast Guard and Lloyd's Register of shipping.

AGENCY LISTINGS AND APPROVALS

Listing agencies and file numbers displayed above. These listings and approvals apply to the basic AFP-200 control panel. In some cases, certain modules may not be listed by certain approval agencies, or listing may be in process. Consult factory for latest listing status.

NOTIFIER® is a **Honeywell** company.

This document is not intended to be used for installation purposes. We try to keep our product information up-to-date and accurate. We cannot cover all specific applications or anticipate all requirements. All specifications are subject to change without notice. For more information, contact **NOTIFIER**. Phone: (203) 484-7161 FAX: (203) 484-7118



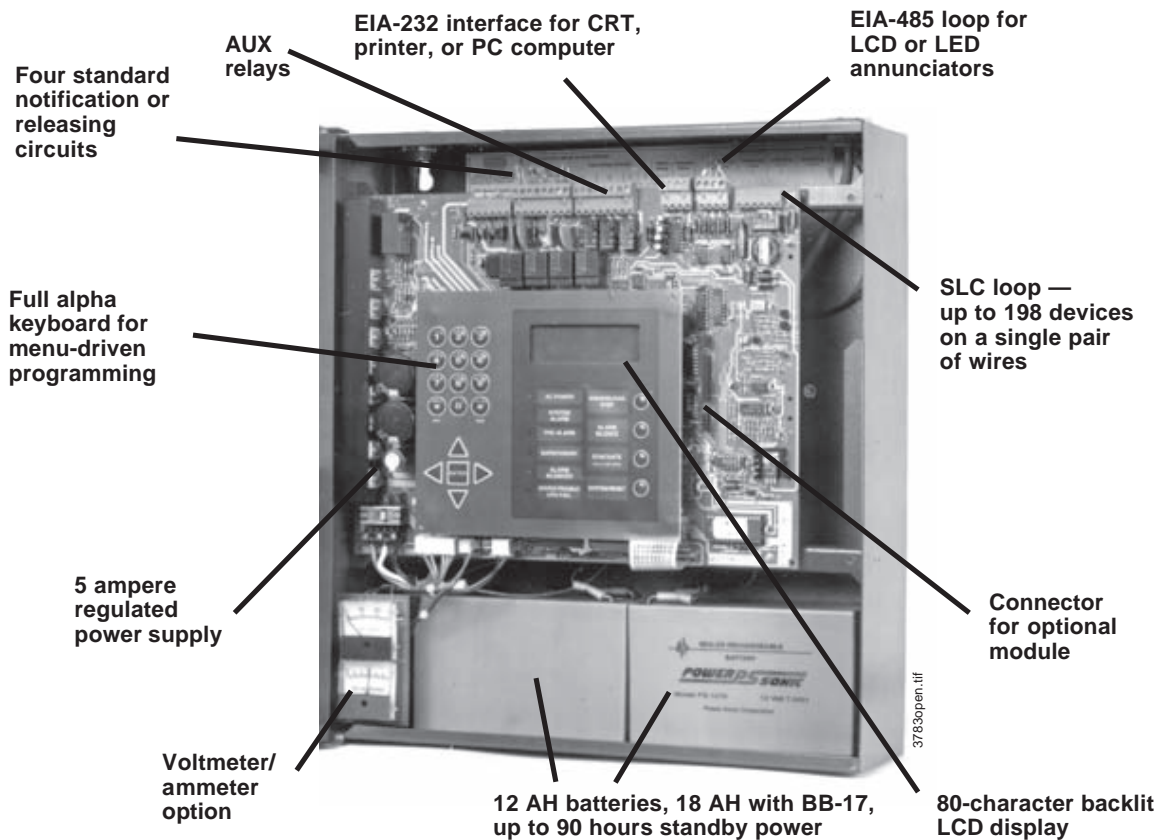
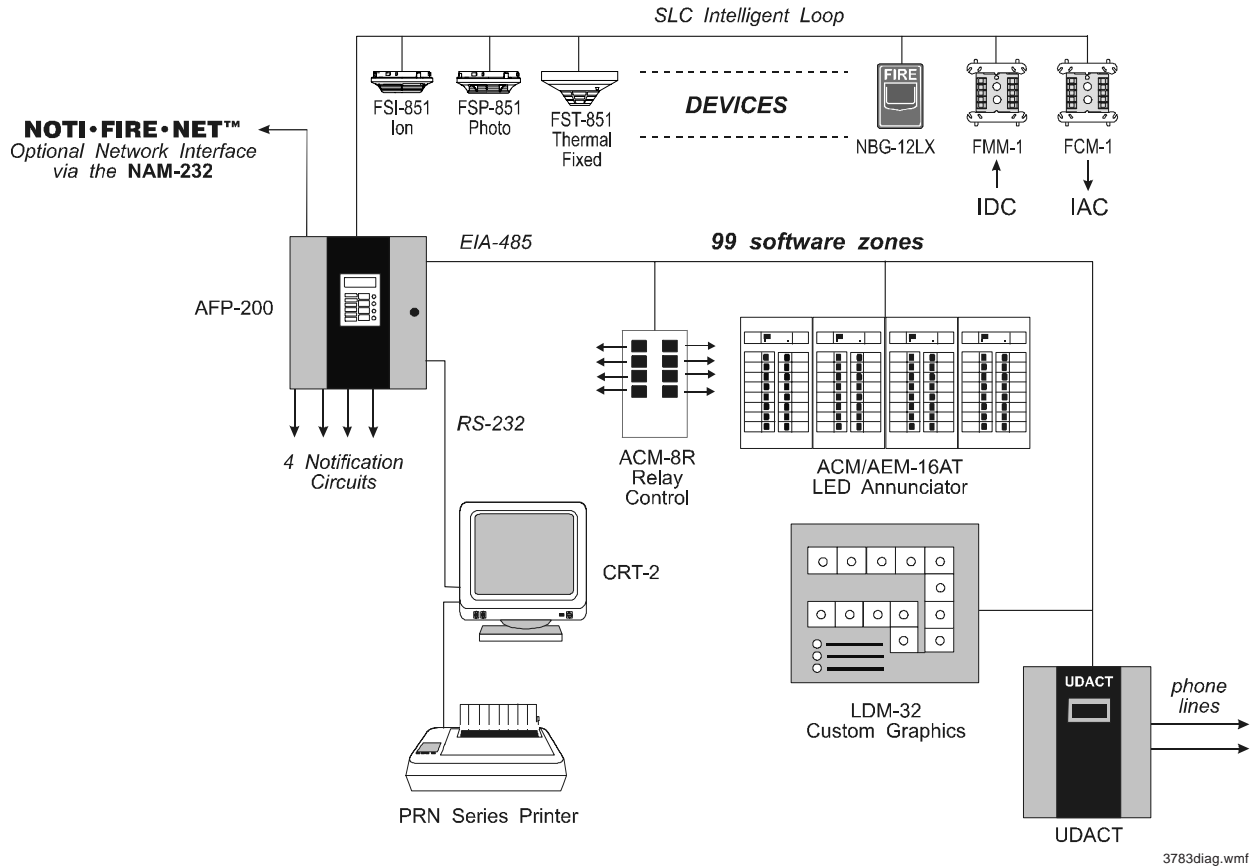
12 Clintonville Road, Northford, Connecticut 06472

ISO 9001
CERTIFIED
ENGINEERING & MANUFACTURING
QUALITY SYSTEMS



Made in the U.S.A.

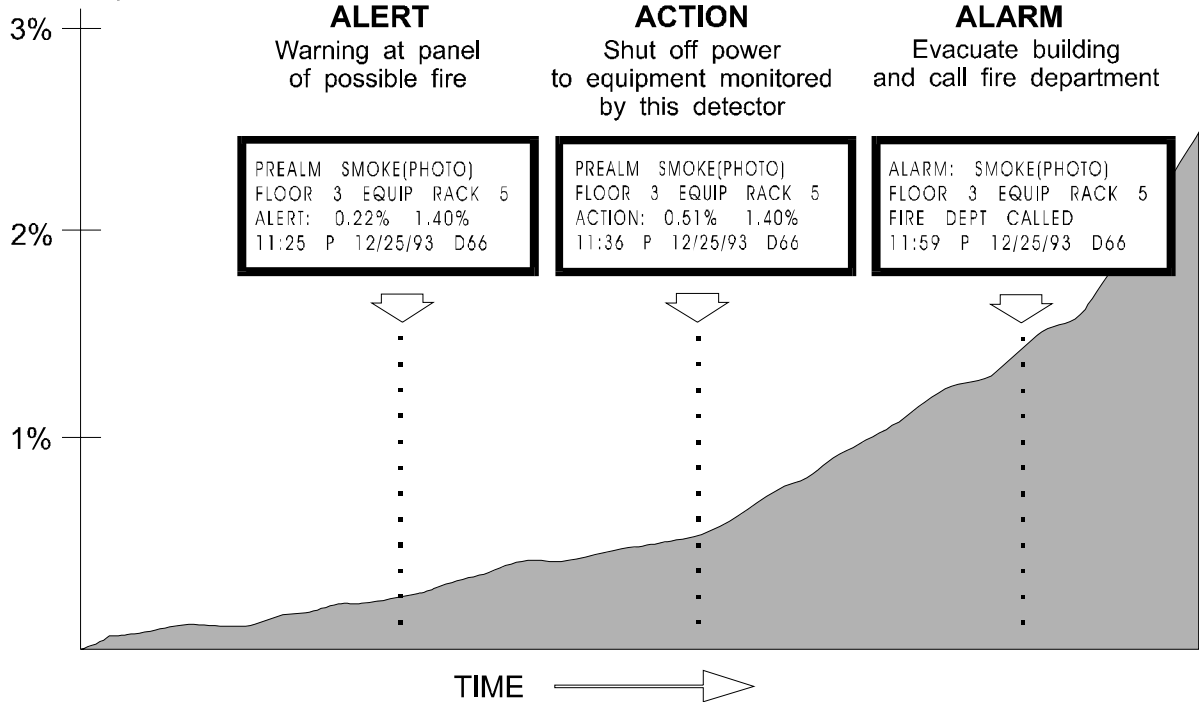
Sample System Diagram



AWACS™ Advance Warning Addressable Combustion Sensing (U.S. Patent Pending)

SMOKE OBSCURATION

% per foot



ALERT and **ACTION** levels are completely adjustable in the field to suit the cleanliness and stability of the environment. **ALARM** levels are field adjustable to one of three levels within the UL permitted range. **ACTION** levels latch and may be used to perform control functions. **ALERT** levels self-restore and may be used to activate a local sounder base before general **ALARM** evacuation.

Field Programming — 3 Ways

1. AUTO-PROGRAM

The AFP-200 identifies all devices that are connected, determines the type of device, and loads default values (general alarm) into nonvolatile memory. This is completed in less than 30 seconds.

2. ON-LINE EDIT

While still providing fire protection, the AFP-200 program may be completely edited from the front keypad. Menu trees permit easy change of any parameter without referral to the programming manual. Recall, increment and edit function speeds entry of alphanumeric labels. New program check routine catches common errors.

3. OFF-LINE PC: VeriFire-200 (included with VeriFire-CD)

The complete AFP-200 program may be created in an off-line PC-compatible computer with a Windows®-based utility, then loaded into the AFP-200 EIA-232 port. The program may also be off-loaded to a PC at any time. High-speed data transfer completes upload or download in less than one minute. The PC program may also be used to access remote AFP-200 systems over dial-up phone lines, providing detail status information and history file search/sort.

AUTOPROGRAM
PLEASE WAIT

1.

0 = CLR 1 = AUTO 2 = POINT
3 = PASSWD 4 = MESSAGE
5 = ZONES 6 = SPL ZONES
7 = SYS 8 = CHECK

2.

3783v200.jpg

Inst	Type	Code Label	Sen	DR	Z1	Z2	Z3	Z4	Z5	St	Ver	Pre	Wxt	Device Label
D 1	N													
D 2	N													
D 3	N													
D 4	N													
D 5	N													
D 6	N													
D 7	N													
D 8	N													
D 9	N													
D 10	N													
D 11	N													
D 12	N													
D 13	N													
D 14	N													
D 15	N													
D 16	N													
D 17	N													
D 18	N													
D 19	N													
D 20	N													
D 21	N													
D 22	N													
D 23	N													
D 24	N													
D 25	N													
D 26	N													
D 27	N													
D 28	N													
D 29	N													
D 30	N													
D 31	N													
D 32	N													
D 33	N													
D 34	N													
D 35	N													
D 36	N													
D 37	N													
D 38	N													

Edit dialog box details:
 Enable
 Disable
 Zones: [01] (Z100-99)
 Sensitivity: [H-M-L]
 Drift: No Yes
 Verification: No Yes
 Pre-Alarm: No Yes
 Code Label: Smoke(Photo)
 Device: D 1
 Device Label: First Floor Room 101

3.

SPECIFICATIONS

- Primary input power, 120 VAC, 50/60 Hz, 3.0 A; for AFP-200E: 230 VAC, 50/60 Hz, 1.5 A.
 - Total Internal 24 VDC Power: 5.0 A (total shared power).
 - ✓ High-ripple regulated power: 1.5 A (suitable for EIA-485 devices, except ACM-8R); 1.0 A maximum standby.
 - ✓ Non-resettable power: 500 mA.
 - ✓ Four-wire smoke detector power: 500 mA.
 - ✓ Four built-in notification circuits:
 - NAC Circuit 1: 2.25 A.
 - NAC Circuits 2-4: 2.25 A (shared total).
- NOTE:** with optional APS-6R Power Supply NAC circuits 3 & 4 are expanded to 3.0 A (8.0 A total power).
- Battery charger range: 7 AH - 18 AH.
 - Charge high rate: 29.1 V. Float rate: 27.0 V.
 - Relay contact rating: 2.0 A @ 30 VDC.
 - Cabinet dimensions: 16.125" (40.958 cm) high x 14.5" (36.83 cm) wide x 5.5" (13.97 cm) deep.

SYSTEM CAPACITY

- Total programmable input/output points: 301
- Intelligent detectors: 99
- Addressable monitor/control modules: 99
- Programmable NAC circuits in panel: 4
- Programmable software zones: 99
- Programmable remote relay/annunciator points: 99
- LCD-80 annunciators per system: 4
- ACS annunciators per system: 10

CONTROLS AND INDICATORS

6 LED indicators: AC Power; Fire Alarm; Pre-Alarm; Supervisory/Security; Alarm Silenced; System Trouble.

21 Membrane Switch Controls: Acknowledge/Step; Silence; Evacuate; System Reset; 12-key Alpha pad; 4 cursor keys; Enter.

LCD Display: 80 characters (4 x 20) with long-life LED backlight.

Data sheets are available for many of the compatible products listed below.

COMPATIBLE INTELLIGENT DEVICES

- FSI-851:** Ion detector, *replaces FSI-751.*
- FSI-751:** Ion detector.
- FSP-851:** Photo detector, *replaces FSI-751.*
- FSP-751:** Photo detector.
- FSP-851T:** Photo detector with 135°F (57°C) thermal element, *replaces FSP-751T.*
- FSP-751T:** Photo detector with fixed thermal element.
- FST-851:** Thermal detector, 135°F (57°C), *replaces FST-751.*
- FST-751:** Thermal detector, fixed.
- FST-851R:** Thermal detector, 135°F (57°C) with rate-of-rise, *replaces FST-751R.*
- FST-751R:** Thermal detector, fixed and rate-of-rise.
- FST-851H:** 190°F (88°C) high-temperature thermal detector.
- FSH-751:** HARSH™ photo detector, *requires B710HD base, detector replaces HPX-751.*
- HPX-751:** HARSH™ photo detector, *requires B710HD base.*
- LPX-751L:** VIEW® laser detector.
- FSD-751PL:** Low-flow photo duct detector with housing, *replaces FSD-751P.*
- FSD-751P:** Duct detector, with housing.
- FSD-751RPL:** Low-flow photo duct detector with housing and relay, *replaces FSD-751P.*
- FSD-751RP:** Duct detector, with housing and relay.
- B710LPBP:** Standard flanged base, package of ten.
- B501BP:** Standard flangeless base, package of ten.
- NOTE:** Remove "BP" suffix for single-pack bases.
- B710HD:** Base for FSH-751 (HARSH™) only.
- B224RB:** Relay base.
- B224BI:** Isolator base.
- B501BH:** Sounder base.
- B501BHT:** Sounder base with temporal sounder.

- NBG-12LX:** Addressable pull station, visible LED.
- ISO-X:** Isolator module.
- FMM-1:** Monitor module.
- FMM-101:** Monitor module, miniature.
- FDM-1:** Monitor module, dual, two independent Class B circuits.
- FZM-1:** Monitor module, two-wire smoke detectors.
- FCM-1:** Control module.
- FRM-1:** Relay module.
- FSM-101:** Pull station monitor module.
- XP5-M:** Transponder, monitor, 5 addressable Class B circuits.
- XP5-C:** Transponder, control/relay, 5 addressable Class B circuits.
- XP6-C:** Six-circuit supervised control module.
- XP6-MA:** Six-zone interface module; connects intelligent alarm system to two-wire conventional detection zone.
- XP6-R:** Six-relay (Form-C) control module.
- XP10-M:** Ten-input monitor module.
- XPIQ:** Intelligent quad transponder.

COMPATIBLE DEVICES, EIA-232 Port

- PRN Series:** 80-column printer.
- VS4095/S2:** Printer, 40 column, 24 volts. Mounted in external backbox (*order from Keltron, Inc.*).
- CRT-2:** Video display terminal.
- NAM-232:** Network Interface Module to **NOTI•FIRE•NET™** wire or fiber models.

COMPATIBLE DEVICES, RS-485 Port

- ACS Series:** Remote Serial Annunciator/Control systems.
- LCD-80:** Remote LCD display.
- LDM Series:** Remote custom graphic driver modules.
- ACM-8R:** Remote relay module. Eight Form-C relays.
- NIB-96:** Network Interface Board.
- RPT-485:** Series Repeater, isolator and/or fiber-optic modem.
- UDACT:** Universal Digital Communicator.

PRODUCT LINE INFORMATION

- AFP-200:** AFP-200 system. Includes main PC board with display and keypad, backbox and door (gray), hardware and instruction manual. 120 VAC.
- AFP-200E:** Same as AFP-200, but 230 VAC.
- AFP-200R:** Same as AFP-200, but with red backbox and door.
- AFP-200RE:** Same as AFP-200R, but 230 VAC.
- AFP-200C:** Same as AFP-200, but ULC-approved version.
- AFP-200RC:** Same as AFP-200R, but ULC-approved version.
- DR-AFP200*:** Replacement door, gray.
- DR-AFP200R*:** Replacement door, red.
- *Add an "E" to end of part number for 230 VAC labeling.*
- SBB-4X:** AFP-200 backbox (no door), gray, for replacement only.
- SBB-4XR:** AFP-200 backbox (no door), red, for replacement only.
- CAB-AM:** Heavy-duty outer enclosure. Required for marine agency approved applications.
- 4XTM:** Plug-in Transmitter Module. Provides municipal box and remote station connection.
- RTM-8:** Plug-in Relay Transmitter Module. Provides eight Form-C relays, plus transmitter.
- 4XMM:** Ammeter/Voltmeter.
- TR-4XG:** Gray Trim Ring for semi-flush mounting (*TR-4XR for red*).
- DP-AFP200:** Full-length dead-front panel (*required for Canadian applications*).
- PS Series:** Batteries. The AFP-200 requires two 12-volt, 7.0 to 18.0 AH batteries.
- BAT Series:** Batteries. The AFP-200 requires two 12-volt, 7.0 to 18.0 AH batteries.
- APS-6R:** 6.0 A expansion supply (*requires BB-17*).
- BB-17:** Battery box, required for batteries above 12.0 AH, or if APS-6R is used.
- CHG-120:** 120 AH battery charger for use with 25 to 120 AH batteries.
- 411 Series:** Digital Alarm Communicator/Transmitter.
- VeriFire-CD:** Programming kit for PC. Includes a CD with a variety of VeriFire™ programs (including VeriFire-200), cable, and instructions.
- ROM-AFP200SP:** Spanish language kit. Includes software IC, manual, and labels.